

GROUND COFFEE DISPENSER #26



Internationally
patented models



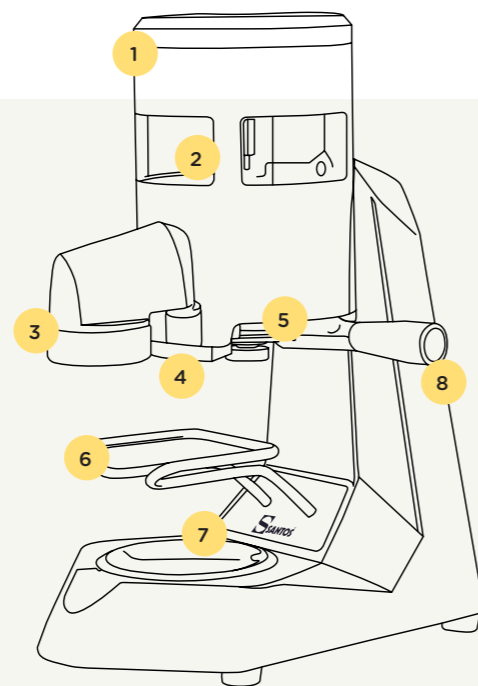
A precise and adjustable dispenser

This compact coffee dispenser can be placed on the counter in bars and restaurants, next to the traditional espresso machine.

It allows you to dose and dispense a precise amount of ground coffee, from 5.5g to 9.5g, directly into the filter holder.

Equipped with a manual dose measurer and a dose counter, it fits all espresso coffee machines.

It is therefore ideal for cafés, bars, restaurants and hotels that wish to diversify their coffee menu: decaffeinated coffee, special coffees.



- | | |
|--------------------------------|---|
| 1 Dose measurer lid | 5 Coffee measure adjustment thumb-wheel |
| 2 Dose measurer: 350g | 6 Filter-holder support |
| 3 Ground coffee tamper | 7 Ground coffee collector |
| 4 Ground coffee outlet conduit | 8 Dose measurer handle |



Precision coffee dispenser



Easy adjustment of the dose, between 5.5g and 9.5g, by a simple adjustment of the thumb-wheel.

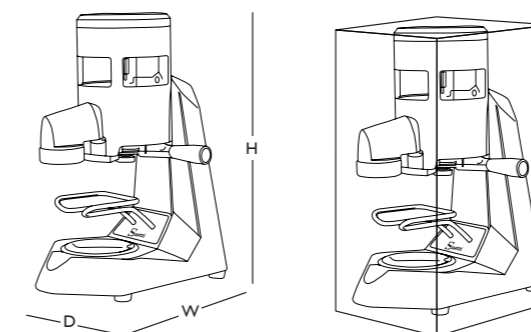


Precise and regular dosage with each action of the handle for a quality espresso.



The cross-bars in the dosing dispenser ensure a homogeneous grinding density.

Technical specifications



Appliance

D : 200 mm (7,8")
W : 293 mm (11,5")
H : 352 mm (13,8")

Net weight :
4,3 Kg (9,48 lbs)

Shipping box

D : 250 mm (10")
W : 340 mm (13,4")
H : 450 mm (17,7")

Net weight :
5 Kg (11 lbs)

Safety, Standards, Hygiene

In accordance with the following regulations Machinery directive 2006 / 42 / CE
Regulation 1935 / 2004 / EC (contact with food)

Regulation 10 / 2011 / EU (Plastic in contact with food)

Harmonized European Standards NF EN ISO 12100 : 2010
NF EN 1672-2+A1 : 2009

CE Marking

Hygiene Cleaning of the dose measurer and coffee dispensing conduit using a brush

Santos, more than 65 years of experience in coffee grinders

Since 1954, Santos manufactures its own grinding discs for a high-quality grinding.

Equipped with robust and powerful asynchronous motors, Santos espresso coffee grinders are the quietest on the market and are adapted to intensive use.



#40AN



#55BF

**#40AN
Traditional
Espresso Coffee
Grinder**

**#55BF
« Automatic »
Espresso Coffee
Grinder**

65 YEARS
experience

PRODUCT : 2-YEAR WARRANTY

SANTOS Coffee Dispenser #26

From date: 02/2019
from serial number: 1091229

