



JUICE EXTRACTOR #28



Internationally
patented models



For a high quality juice

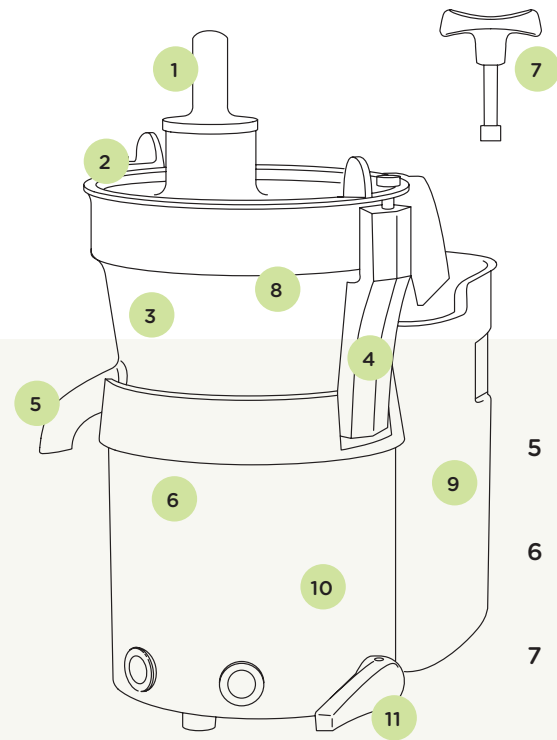
The juice extractor #28 is the benchmark since 1986.

It makes any kind of fruit and vegetable juices: apple carrot, ginger, beetroot, cucumber...

Adapted to intensive use, it offers an excellent yield while keeping the vitamins and nutritional benefits from the ingredients.

Silent, powerful and sturdy, it is the ideal appliance for juice bars, restaurants, hotels, institutions...


100l/h



- 1 Pusher: low effort, constant flow
- 2 Aluminum cover with a large feeding chute: Ø 68 mm
- 3 Stainless steel removable bowl
- 4 Strong locking system ensuring a safe operation
- 5 High spout: 222mm. Accepts jugs and blender jars.
- 6 Powerful and quiet asynchronous motor
- 7 Special key for screwing and unscrewing the basket and pulp ejection chute
- 8 Removable commercial basket: very fine sieve (0.5mm / 0.02" holes)
- 9 Pulp container: 7.5l (2 gallons)
- 10 Stainless steel and aluminium body
- 11 Locking handle: Electric cut-off and motor breaking when opening

Worldwide leader in commercial juicers

Santos has a 30 years experience in creating juice extractors and developing exclusive patented systems to provide an incomparable reliability and efficiency.



28 50 58 68
1986 2001 2006 2013 →



Professional quality

Powerful and extremely silent
asynchronous motor (Santos know-how)

Large filter basket:
more juice, less cleaning

Performance

Continuous juice production,
automatic pulp ejection

High output: 100l/h

Maximum juice extraction: high quality juice without pulp, even for intensive use

Perfect filtration



Standard: 0,5 mm holes
Ref. 28200
Delivered with the juicer



Option: 0,8 mm holes
Ref. 28200B
For fibrous ingredients (ex: pineapple, ginger)

2 filter baskets available

Safety, Standards, Hygiene

In accordance with the following regulations Machinery directive 2006/42/EC

Electromagnetic compatibility 2014/30/EU

"Low voltage" directive 2014/35/EU

RoHS directive 2011/65/EU

Regulation 1935/2004/EC (contact with food)

Regulation 10/2011/EU (Plastic in contact with food)

Harmonized European Standards EN ISO 12100: 2010

EN 60204-1 + A1: 2009

EN 60335-2-64: 2015 Commercial electric kitchen machines

EN 12547: 2014 Juice extractors

CE Marking, UL (USA) and cUL (Canada), NSF (USA), KC (Korea)

Electrical safety On/Off switch detects overloading and no voltage

All mechanical parts are ground connected

Appliances are 100% tested after assembly

Thermal safety Motor protected by internal thermal detector and overload protector

Acoustic safety Silent asynchronous motor

Mecanical safety A friction brake immediately stops the basket when opening the handle

Hygiene All removable parts can be put in a dishwasher or easily cleaned with hot soapy water

Technical specifications

Motor

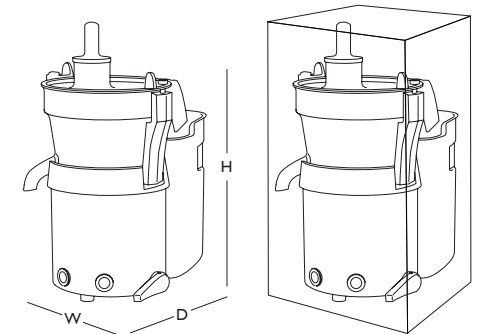
Single phase:

220-240V - 50/60Hz - 1300W CE, KC

100-120V - 50/60Hz - 1300W CE, UL, NSF

Speed : 3000 rpm (50Hz)

3600 rpm (60Hz)



Appliance

W: 320 mm (13")

D: 480 mm (19")

H: 570 mm (23")

Weight:

24 Kg (53 lbs)

Shipping box

W: 370 mm (15")

D: 660 mm (26")

H: 590 mm (23")

Weight:

26 Kg (57 lbs)

PRODUCT: 2-YEAR WARRANTY | MOTOR: 5-YEAR

